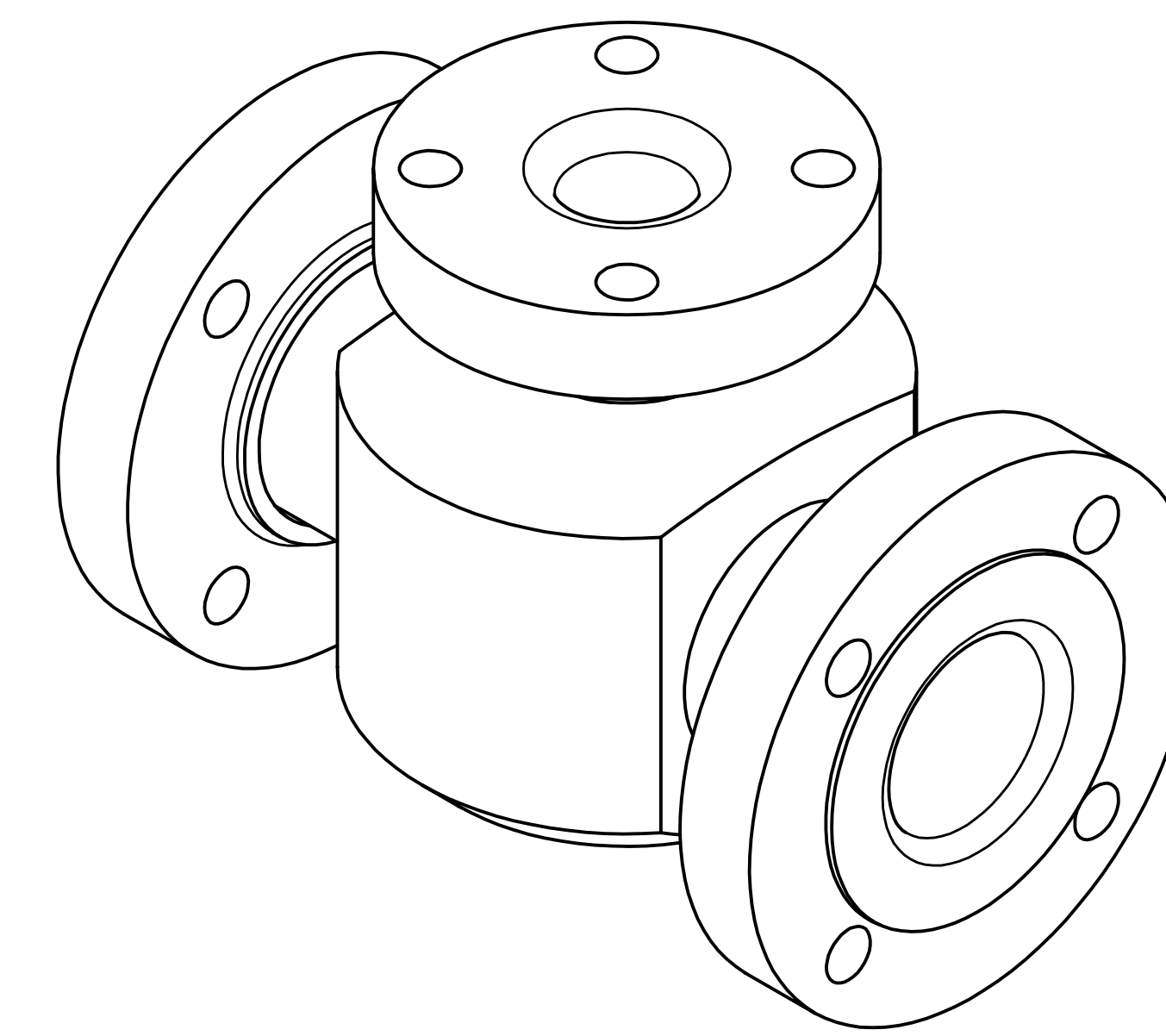
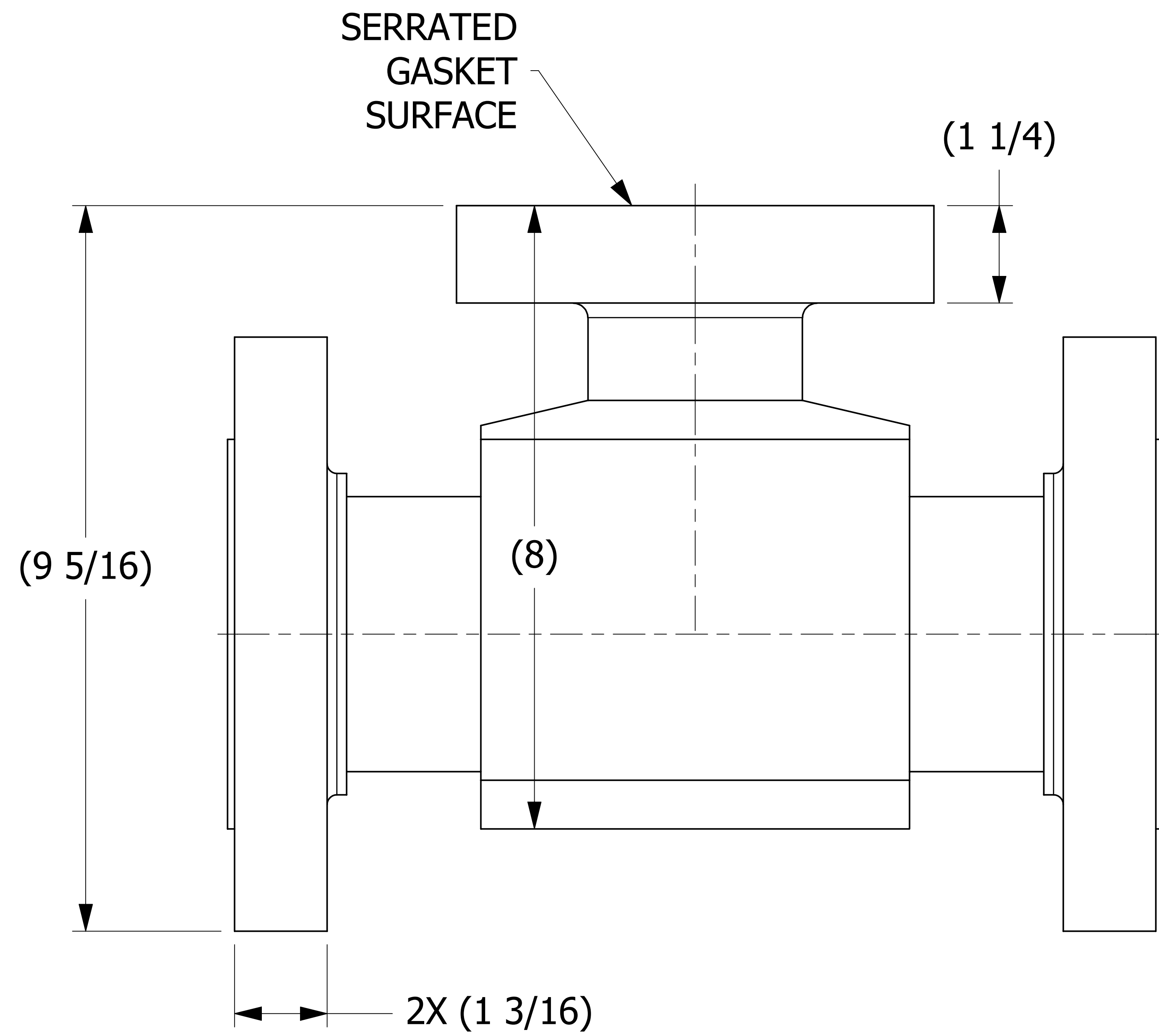
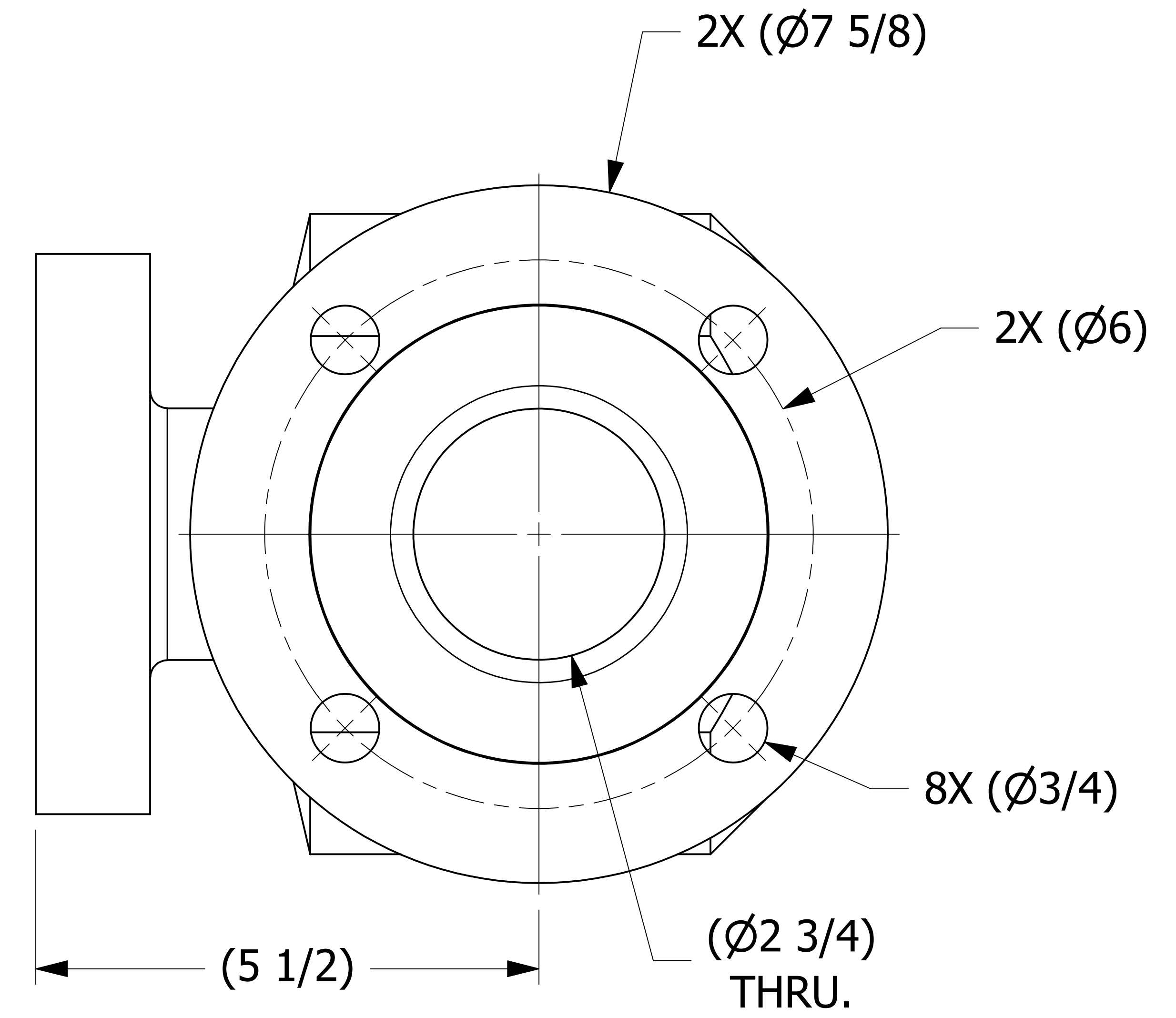
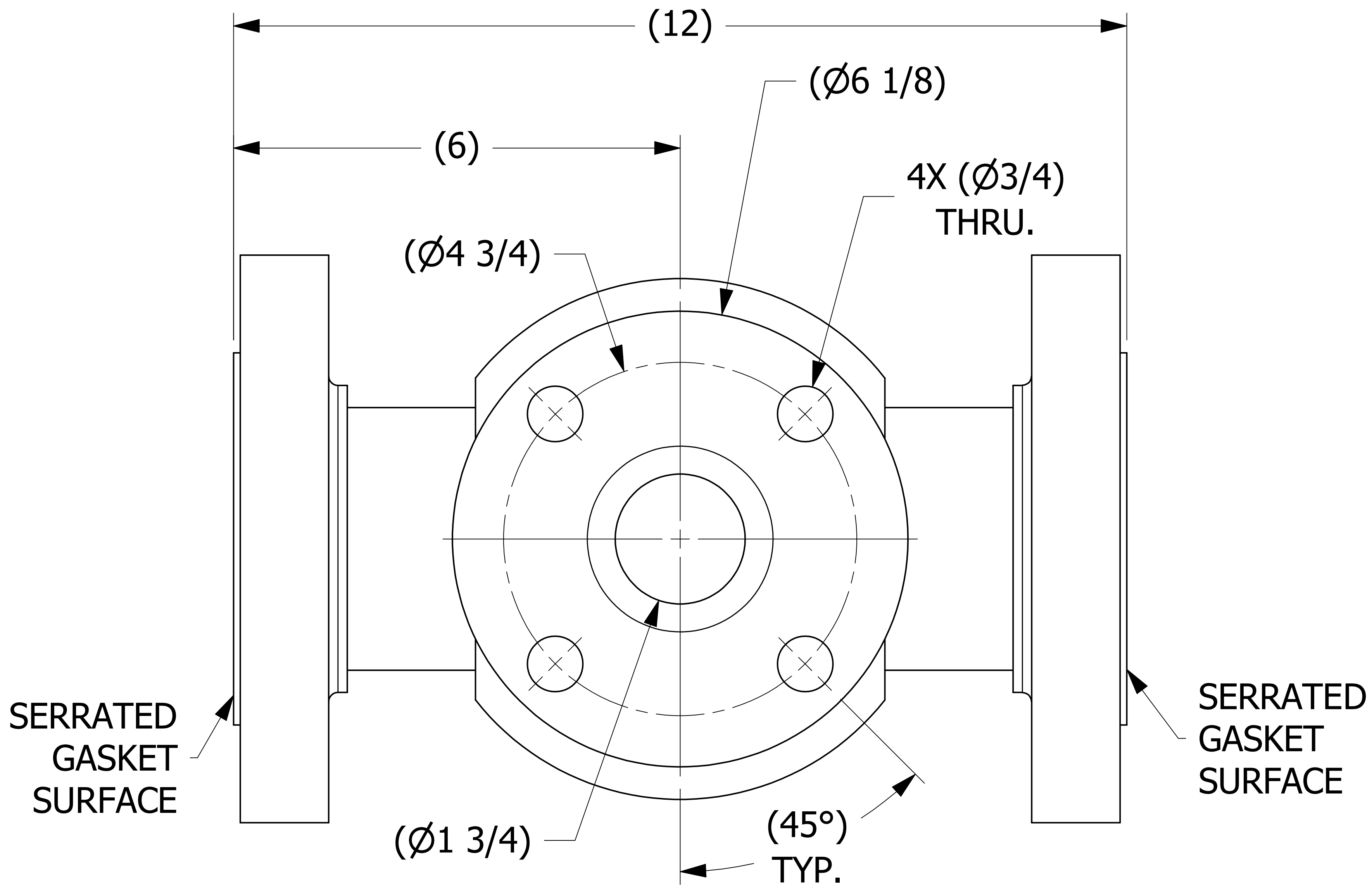


SALES DRAWING SALES DRAWING SALES DRAWING



SALES DRAWING SALES DRAWING SALES DRAWING

UNLESS OTHERWISE SPECIFIED  
DIMENSIONAL TOLERANCES  
FRACTIONAL:  $\pm 1/16$   
X.XX:  $\pm .03$   
X.XXX:  $\pm .015$   
ANGULAR:  $\pm 1^\circ$   
DEBURR ALL SHARP EDGES.  
ALL MACHINED SURFACES TO  
HAVE A 125 RMS FINISH UNLESS  
NOTED OTHERWISE.

DRAWN BY: TAK  
CHECKED BY: JRO  
PROTOTYPE BY: TAK  
PROTOTYPE DATE: 4/19/2016  
APPROVED FOR PRODUCTION BY: TAK  
PRODUCTION DATE: 4/21/2016

A	TAK	4-21-16	RELEASED FOR PRODUCTION
REV	BY	DATE	DESCRIPTION
<b>SALCO PRODUCTS, INC.</b>			
PART NAME: <b>PIPE TEE 3"X2"</b>			
MATERIAL: <b>SALCO PE</b>			
PROJECT #:	<b>H160419F</b>	SHEET #:	<b>1 OF 1</b>
DRAWING #:	<b>E43558</b>	PART #:	<b>HS3X2PT3</b>
		SCALE:	<b>1:1</b>